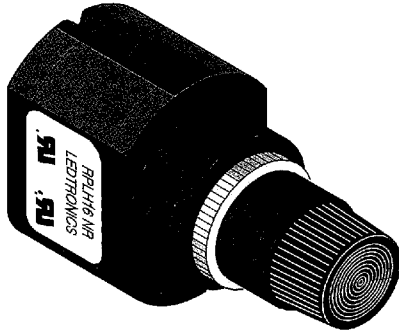




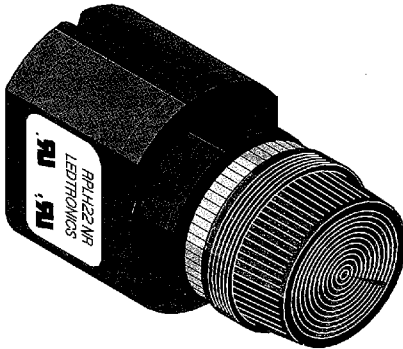
More Choices, More Light

### 16mm, 22mm, 30mm Pilot Lights

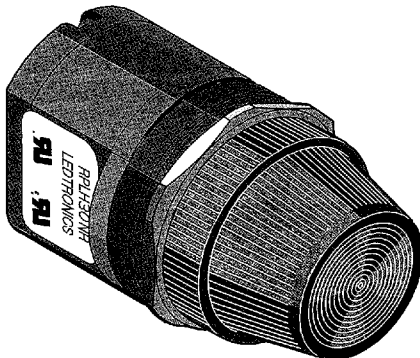
## RPLH Series Panel LED Pilot Lamp Assemblies



Series RPLH16



Series RPLH22



Series RPLH30

### Features

- Maintenance Free
- Long life / 100,000+ hours
- Solid state, high shock/ vibration resistant
- Easy installation
- 1 year warranty
- Major cost savings
- UL listed
- Six colors available

### Simply the Best

We at LEDTRONICS are extremely proud of our products and service. All of our products are engineered to be the best available in quality and performance. Each product has been designed in the environment it is expected to exist/work in. We take one additional step and that is to incorporate all the features that the people in the field who use and maintain the equipment our product is installed require.

- Units meet UL requirements
- Advanced LEDs allows for long life and high intensity
- Lenses are impact resistant and configured for optimal light transmission
  - Made from flame retardant polycarbonate resin
- LEDs lamps are interchangeable with incandescents
- Reduces power consumption up to 80%
- High reliability/quality
- Easy to install - minimum installation time
- Easily changed if color configuration is to be modified
- Ideally suited for harsh factory environments

### Applications

The RPLH series Panel LED Pilot Line, a fully integrated modular system, offers a variety of sizes, lens colors and voltages and are perfect for those applications where space is a concern and aesthetics are a major consideration. Relampable panel mounted LEDs include the most popular hard-mount configurations. All terminal screws are captive with self lifting pressure wire clamps, which will accept up to two #14 wires.

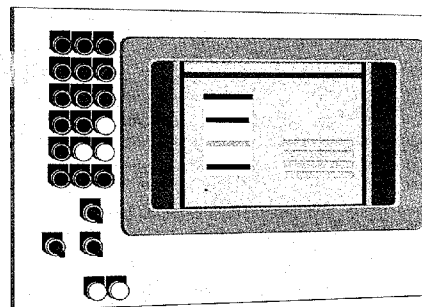
The lampholders are made of high quality Rynite moldings UL class UL94VO

Lens for the pilot lights are completely independent of the mount of the pilot light holder. They can be added or replaced at any time.

Lens - Fiesnel design - Material Polycarbonate (Lexan)

Color - Amber, Blue, Clear, Green, Red, White, Yellow

Lampholders are UL listed industrial control E110075



### Choice of Colors

- Red
- Amber
- Yellow
- Green
- Blue
- White
- Clear

# LEDTRONICS

4009 Pacific Coast Hwy., Torrance, CA 90505

Phone: (310) 534-1505 Fax: (310) 534-1424

E-mail: webmaster@ledtronics.com

■ 5423705 0000678 8T6 ■

Revised 8-97

1



More Choices, More Light

## 16mm, 22mm, 30mm Pilot Lights

# RPLH Series Panel LED Pilot Lamp Assemblies

### Environmental

Operating temperature -25°C to +50°C  
 Storage temperature -40°C to +70°C  
 Relative humidity Rated for operation in non-condensing relative humidities between 5% and 95%

### Selection Guide

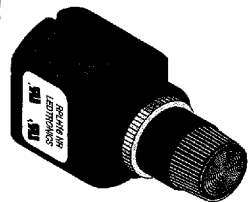
Part numbers are for complete assembly of lens, lamp and lampholder

#### Panel LED Assembly Part Number

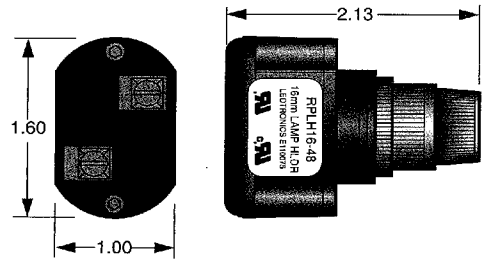
RPLH16-01\*-01-02



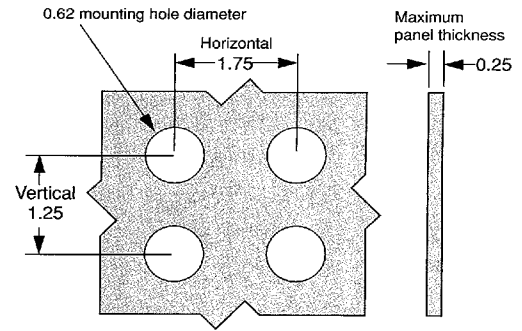
Assembly Part Number	Color	Volts*	Lens	Lamp
RPLH16-01-01-02	RED ●	48VDC**	RPLL16-CRF	RPLB-0201-28V
RPLH16-01-02-02	AMBER ●	48VDC**	RPLL16-CAF	RPLB-0203-28V
RPLH16-01-03-02	YELLOW ●	48VDC**	RPLL16-CYF	RPLB-0204-28V
RPLH16-01-04-02	GREEN ●	48VDC**	RPLL16-CGF	RPLB-0206-28V
RPLH16-01-05-02	BLUE ●	48VDC**	RPLL16-CBF	RPLB-0208-28V
RPLH16-01-06-02	WHITE ○	48VDC**	RPLL16-TWF	RPLB-0209-28V
RPLH16-01-07-02	CLEAR ●	48VDC**	RPLL16-CWF	RPLB-0210-28V
RPLH16-02-01-02	RED ●	130VDC**	RPLL16-CRF	RPLB-0201-28V
RPLH16-02-02-02	AMBER ●	130VDC**	RPLL16-CAF	RPLB-0203-28V
RPLH16-02-03-02	YELLOW ●	130VDC**	RPLL16-CYF	RPLB-0204-28V
RPLH16-02-04-02	GREEN ●	130VDC**	RPLL16-CGF	RPLB-0206-28V
RPLH16-02-05-02	BLUE ●	130VDC**	RPLL16-CBF	RPLB-0208-28V
RPLH16-02-06-02	WHITE ○	130VDC**	RPLL16-TWF	RPLB-0209-28V
RPLH16-02-07-02	CLEAR ●	130VDC**	RPLL16-CWF	RPLB-0210-28V



Series RPLH16

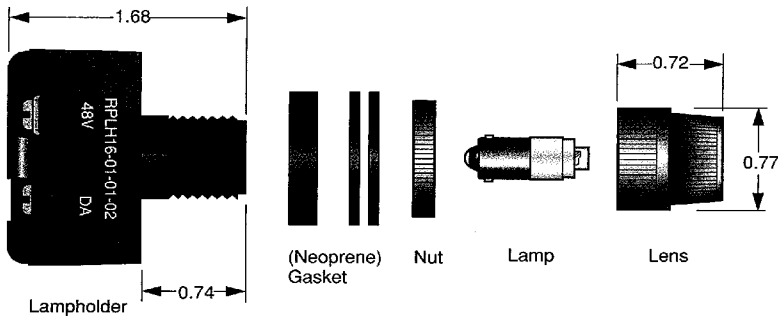


Replacement Lenses		Replacement Lamps	
Part Number	Color	Part Number	Color
RPLL16-CRF	RED ●	RPLB-0201-28V	RED ●
RPLL16-CAF	AMBER ●	RPLB-0203-28V	AMBER ●
RPLL16-CYF	YELLOW ●	RPLB-0204-28V	YELLOW ●
RPLL16-CGF	GREEN ●	RPLB-0206-28V	GREEN ●
RPLL16-CBF	BLUE ●	RPLB-0208-28V	BLUE ●
RPLL16-TWF	WHITE ○	RPLB-0209-28V	WHITE ○
RPLL16-CWF	CLEAR ●	RPLB-0210-28V	CLEAR ●

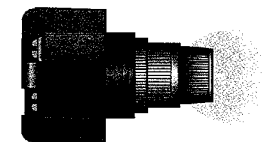


\* = Full voltage customer defines incoming voltage, lamp in holder is made to that voltage. This holder contains no current limiting resistor. (example RPLH16-24-01-02 (24 volt incoming source))

\*\* 48 & 130VDC use an internal series resistor to drop the voltage across the LED bulb to 28 volts.



### Illumination Pattern



Dimensions are approximate

EDTRONICS

5423705 0000679 732



More Choices, More Light

# 16mm, 22mm, 30mm Pilot Lights

## RPLH Series Panel LED Pilot Lamp Assemblies

### Selection Guide

Part numbers are for complete assembly of lens, lamp and lampholder

Panel LED Assembly Part Number

RPLH22-01\*-01-02

Series Incoming Voltage Lens Color LED Lamp Selection

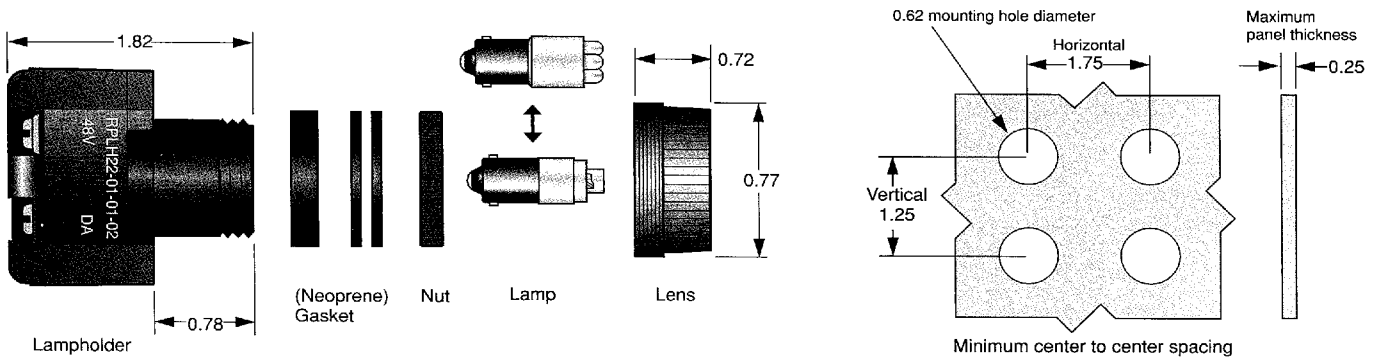
Assembly Part Number	Color	Volts*	Lens	LED Lamp Selection	
				Indoor Lamp	Outdoor Lamp
RPLH22-01-01-02	RED ●	48VDC**	RPLL22-CRF	RPLB-0201-28V	
RPLH22-01-02-02	AMBER ●	48VDC**	RPLL22-CAF	RPLB-0203-28V	
RPLH22-01-03-02	YELLOW ○	48VDC**	RPLL22-CYF	RPLB-0204-28V	
RPLH22-01-03-03	YELLOW ○	48VDC**	RPLL22-CYF		RPLB-0304-28V
RPLH22-01-04-02	GREEN ●	48VDC**	RPLL22CGF	RPLB-0206-28V	
RPLH22-01-05-02	BLUE ●	48VDC**	RPLL22-CBF	RPLB-0208-28V	
RPLH22-01-06-02	WHITE ○	48VDC**	RPLL22-TWF	RPLB-0209-28V	
RPLH22-01-07-02	CLEAR ●	48VDC**	RPLL22-CWF	RPLB-0210-28V	
RPLH22-02-01-02	RED ●	130VDC**	RPLL22-CRF	RPLB-0201-28V	
RPLH22-02-02-02	AMBER ●	130VDC**	RPLL22-CAF	RPLB-0203-28V	
RPLH22-02-03-02	YELLOW ○	130VDC**	RPLL22-CYF	RPLB-0204-28V	
RPLH22-02-03-03	YELLOW ○	130VDC**	RPLL22-CYF		RPLB-0304-28V
RPLH22-02-04-02	GREEN ●	130VDC**	RPLL22-CGF	RPLB-0206-28V	
RPLH22-02-05-02	BLUE ●	130VDC**	RPLL22-CBF	RPLB-0208-28V	
RPLH22-02-06-02	WHITE ○	130VDC**	RPLL22-TWF	RPLB-0209-28V	
RPLH22-02-07-02	CLEAR ●	130VDC**	RPLL22-CWF	RPLB-0210-28V	

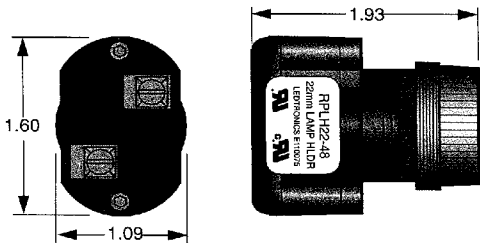
Replacement Lenses		Part Number	Replacement Lamps	
Part Number	Color		Part Number	Color
RPLL22-CRF	RED ●	RPLB-0201-28V	RED ●	
RPLL22-CAF	AMBER ●	RPLB-0203-28V	AMBER ●	
RPLL22-CYF	YELLOW ○	RPLB-0204-28V	RPLB-0304-28V	YELLOW ○
RPLL22-CGF	GREEN ●	RPLB-0206-28V		GREEN ●
RPLL22-CBF	BLUE ●	RPLB-0208-28V		BLUE ●
RPLL22-TWF	WHITE ○	RPLB-0209-28V		WHITE ○
RPLL22-CWF	CLEAR ●	RPLB-0210-28V		CLEAR ●

\* = Full voltage customer defines incoming voltage, lamp in holder is made to that voltage. This holder contains no current limiting resistor. (example RPLH22-24-01-02 (24 volt incoming source))

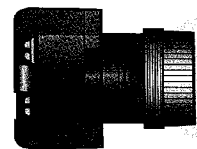
\*\* 48 & 130VDC use an internal series resistor to drop the voltage across the LED bulb to 28 volts.



### Package Dimensions



### Illumination Pattern



Dimensions are approximate



# 16mm, 22mm, 30mm Pilot Lights

## RPLH Series Panel LED Pilot Lamp Assemblies

### Selection Guide

Part numbers are for complete assembly of lens, lamp and lampholder

Panel LED Assembly Part Number

RPLH30-01\*-01-05

Series      Incoming Voltage      Lens Color      LED Lamp Selection

Assembly Part Number	Color	Volts*	Lens	Lamp
RPLH30-01-01-05	RED ●	48VDC**	RPLL30-CRF	RPLB-0501-28V
RPLH30-01-02-05	AMBER ●	48VDC**	RPLL30-CAF	RPLB-0503-28V
RPLH30-01-03-05	YELLOW ○	48VDC**	RPLL30-CYF	RPLB-0504-28V
RPLH30-01-04-05	GREEN ●	48VDC**	RPLL30CGF	RPLB-0506-28V
RPLH30-01-05-05	BLUE ●	48VDC**	RPLL30-CBF	RPLB-0508-28V
RPLH30-01-06-05	WHITE ○	48VDC**	RPLL30-TWF	RPLB-0509-28V
RPLH30-01-07-05	CLEAR ●	48VDC**	RPLL30-CWF	RPLB-0510-28V
RPLH30-02-01-05	RED ●	130VDC**	RPLL30-CRF	RPLB-0501-28V
RPLH30-02-02-05	AMBER ●	130VDC**	RPLL30-CAF	RPLB-0503-28V
RPLH30-02-03-05	YELLOW ○	130VDC**	RPLL30-CYF	RPLB-0504-28V
RPLH30-02-04-05	GREEN ●	130VDC**	RPLL30-CGF	RPLB-0506-28V
RPLH30-02-05-05	BLUE ●	130VDC**	RPLL30-CBF	RPLB-0508-28V
RPLH30-02-06-05	WHITE ○	130VDC**	RPLL30-TWF	RPLB-0509-28V
RPLH30-02-07-05	CLEAR ●	130VDC**	RPLL30-CWF	RPLB-0510-28V

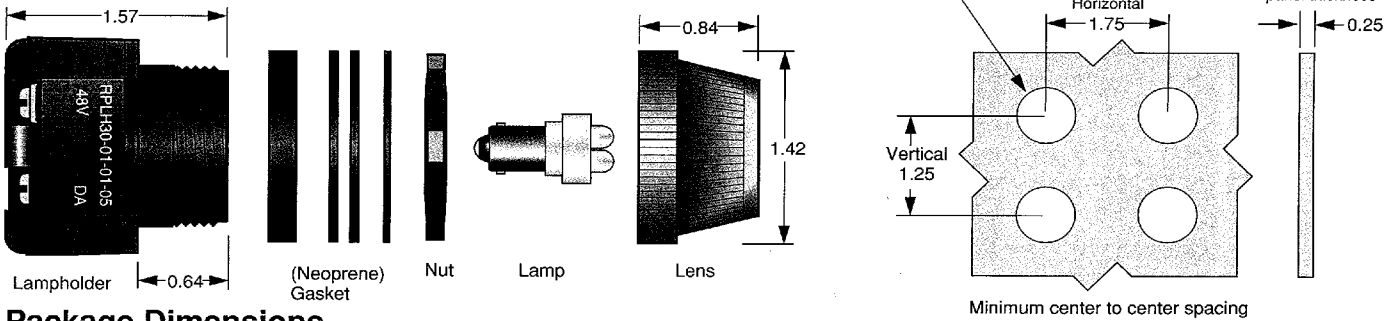
  

Replacement Lenses		Replacement Lamps	
Part Number	Color	Part Number	Color
RPLL30-CRF	RED ●	RPLB-0501-28V	RED ●
RPLL30-CAF	AMBER ●	RPLB-0503-28V	AMBER ●
RPLL30-CYF	YELLOW ○	RPLB-0504-28V	YELLOW ○
RPLL30-CGF	GREEN ●	RPLB-0506-28V	GREEN ●
RPLL30-CBF	BLUE ●	RPLB-0508-28V	BLUE ●
RPLL30-TWF	WHITE ○	RPLB-0509-28V	WHITE ○
RPLL30-CWF	CLEAR ●	RPLB-0510-28V	CLEAR ●

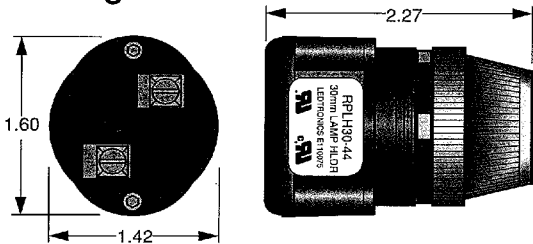
\* = Full voltage customer defines incoming voltage, lamp in holder is made to that voltage.

This holder contains no current limiting resistor. (example RPLH30-24-01-05 (24 volt incoming source))

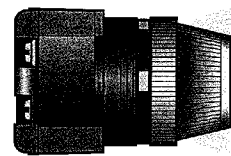
\*\* 48 & 130VDC use an internal series resistor to drop the voltage across the LED bulb to 28 volts.



### Package Dimensions



### Illumination Pattern



Dimensions are approximate

Distributor or representative

## LEDTRONICS

4009 Pacific Coast Hwy., Torrance, CA 90505  
 Phone: (310) 534-1505 Fax: (310) 534-1424  
 E-mail: webmaster@ledtronics.com  
 Website: http://www.ledtronics.com

5423705 00006&1 390

92107